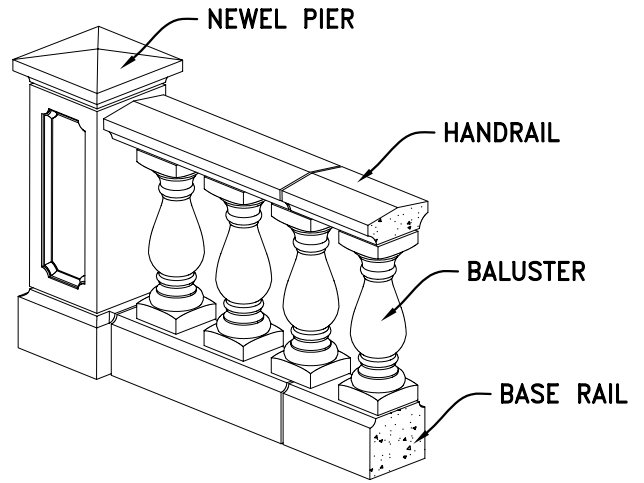
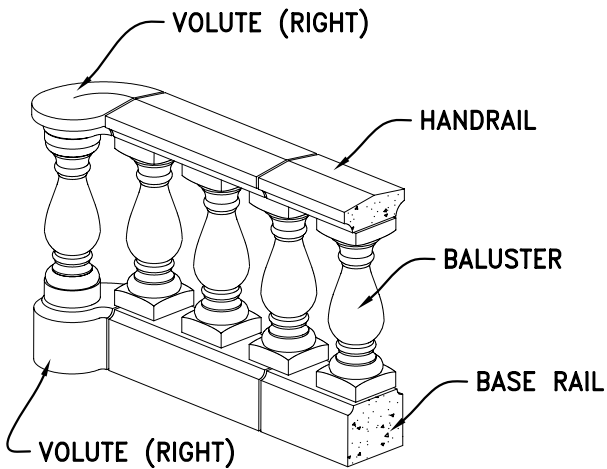


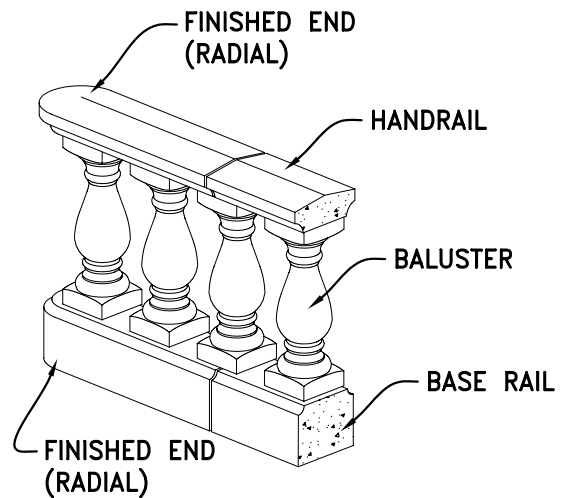
FINISHED END (STRAIGHT)



NEWEL PIER END



VOLUTE END



FINISHED END (RADIUS)

1 DESIGN OPTIONS OF BALUSTRADE HANDRAIL & BASE RAIL ENDS

STD 3/8" MORTAR JOINT

SCALE: N.T.S.

STONE LEGENDS

301 Pleasant Drive - Dallas, TX 75217  
Voice (214) 398-0999 - Fax (214) 398-1293  
Visit our website at [www.stonelegends.com](http://www.stonelegends.com)

CLIENT:  
PROJECT: