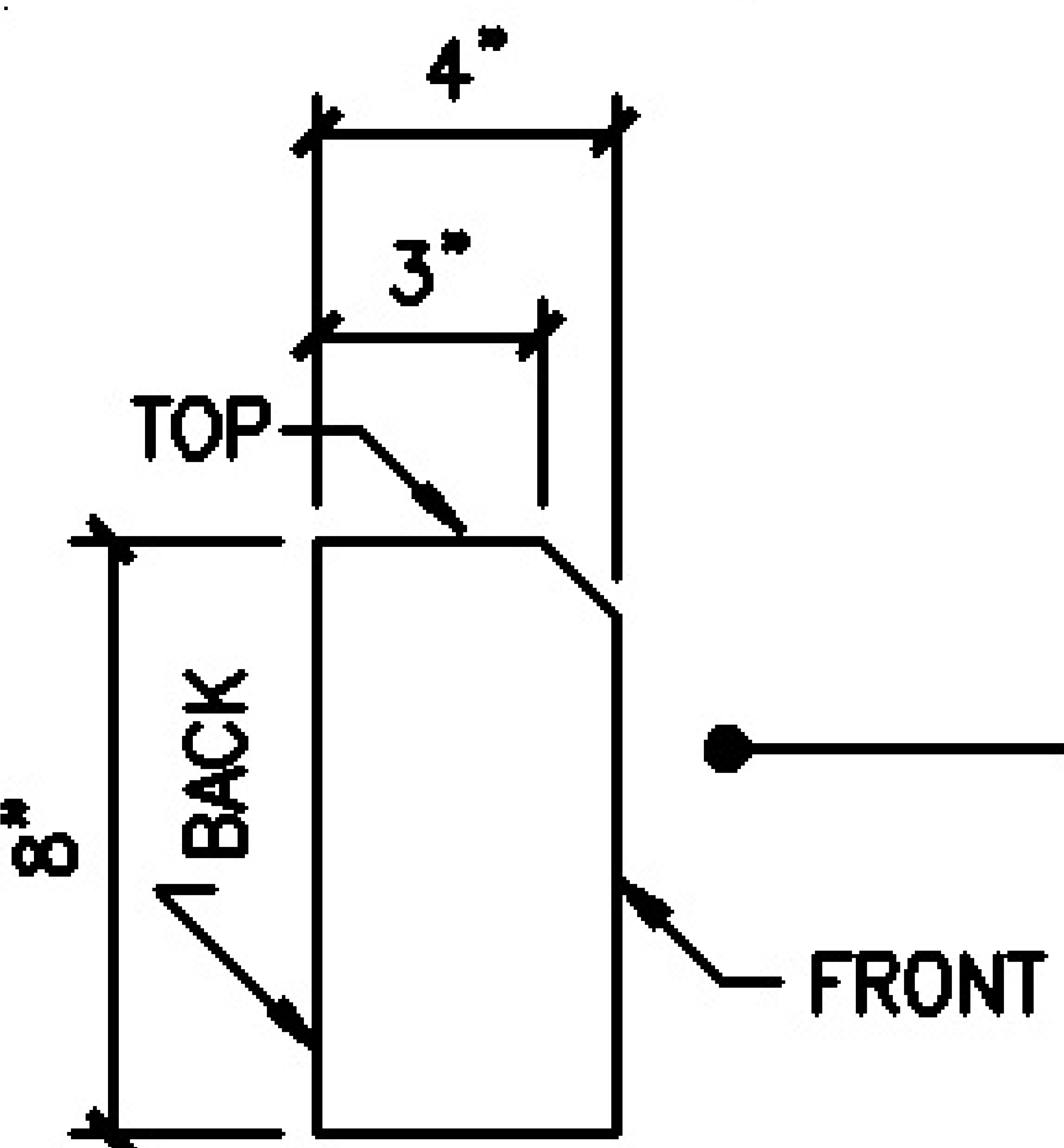
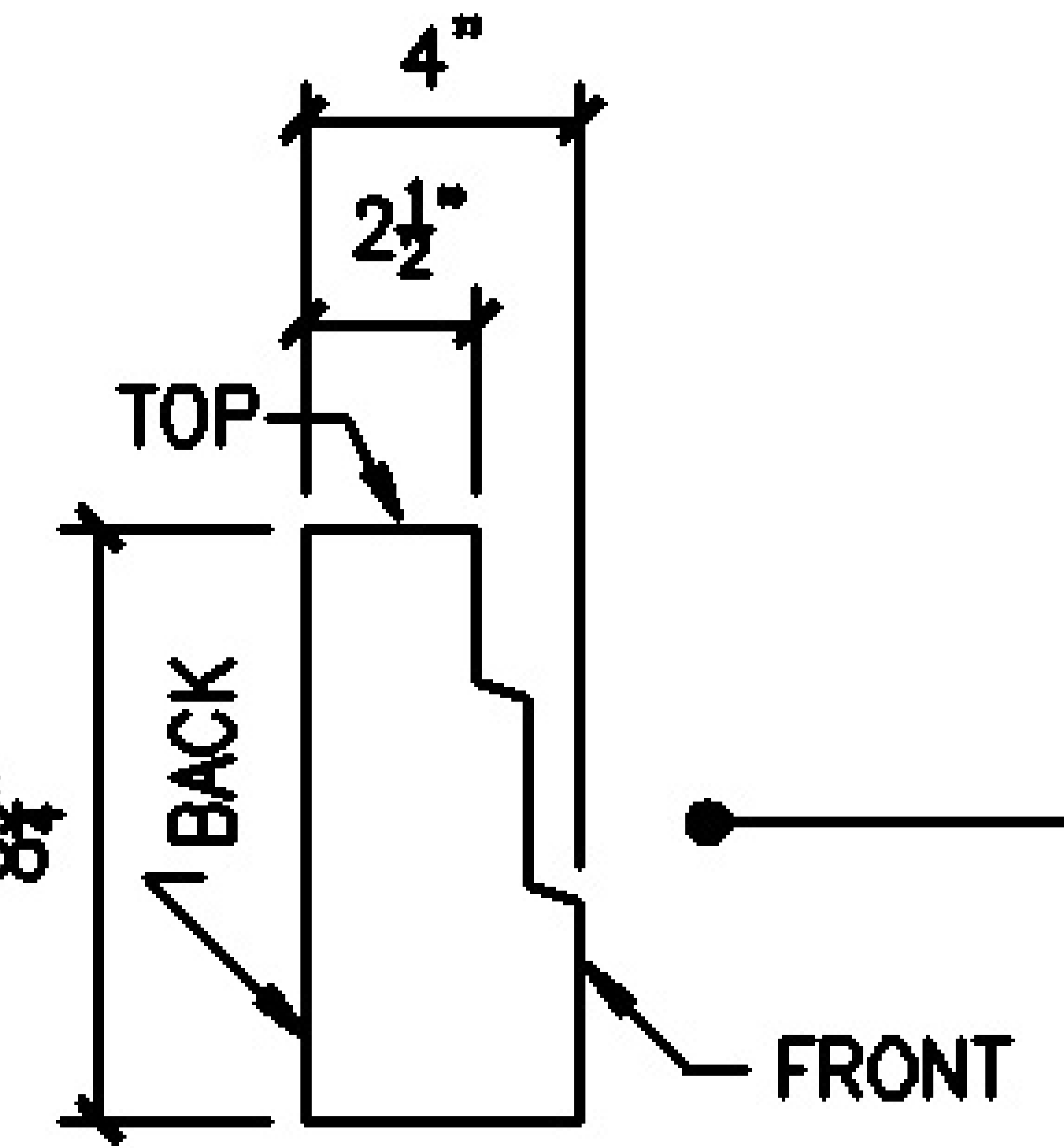


S
L = RECOMMENDED
SETTING LINE

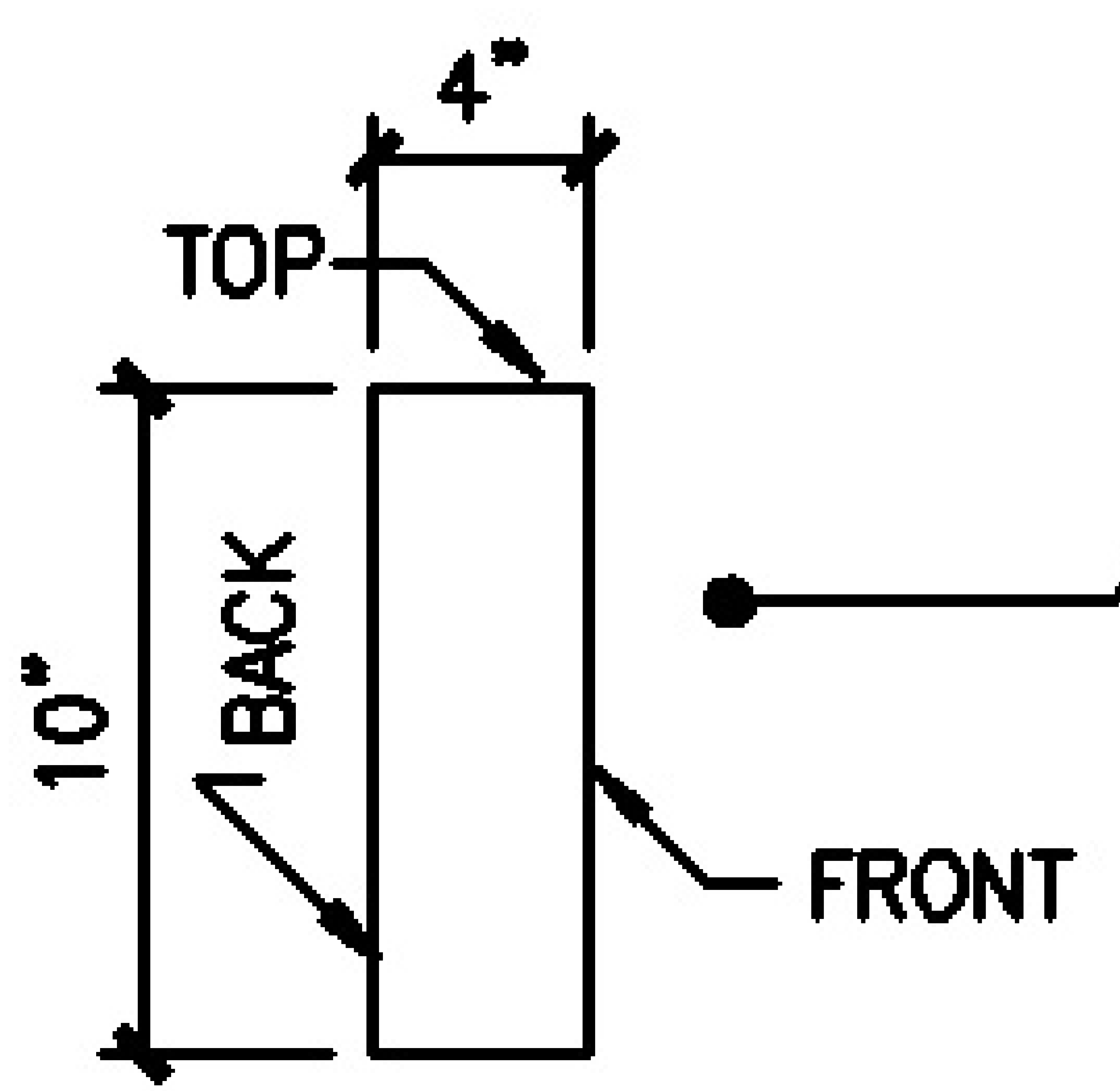
INTERFACE FAMILY



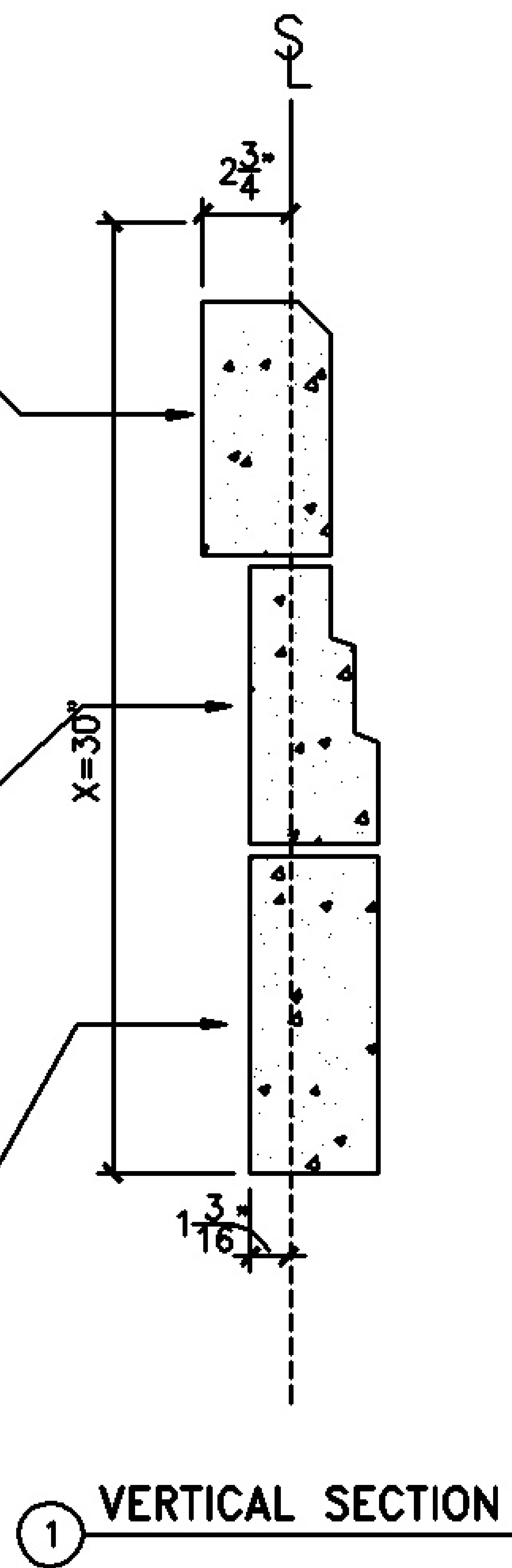
CHAMBERS5
PROFILE



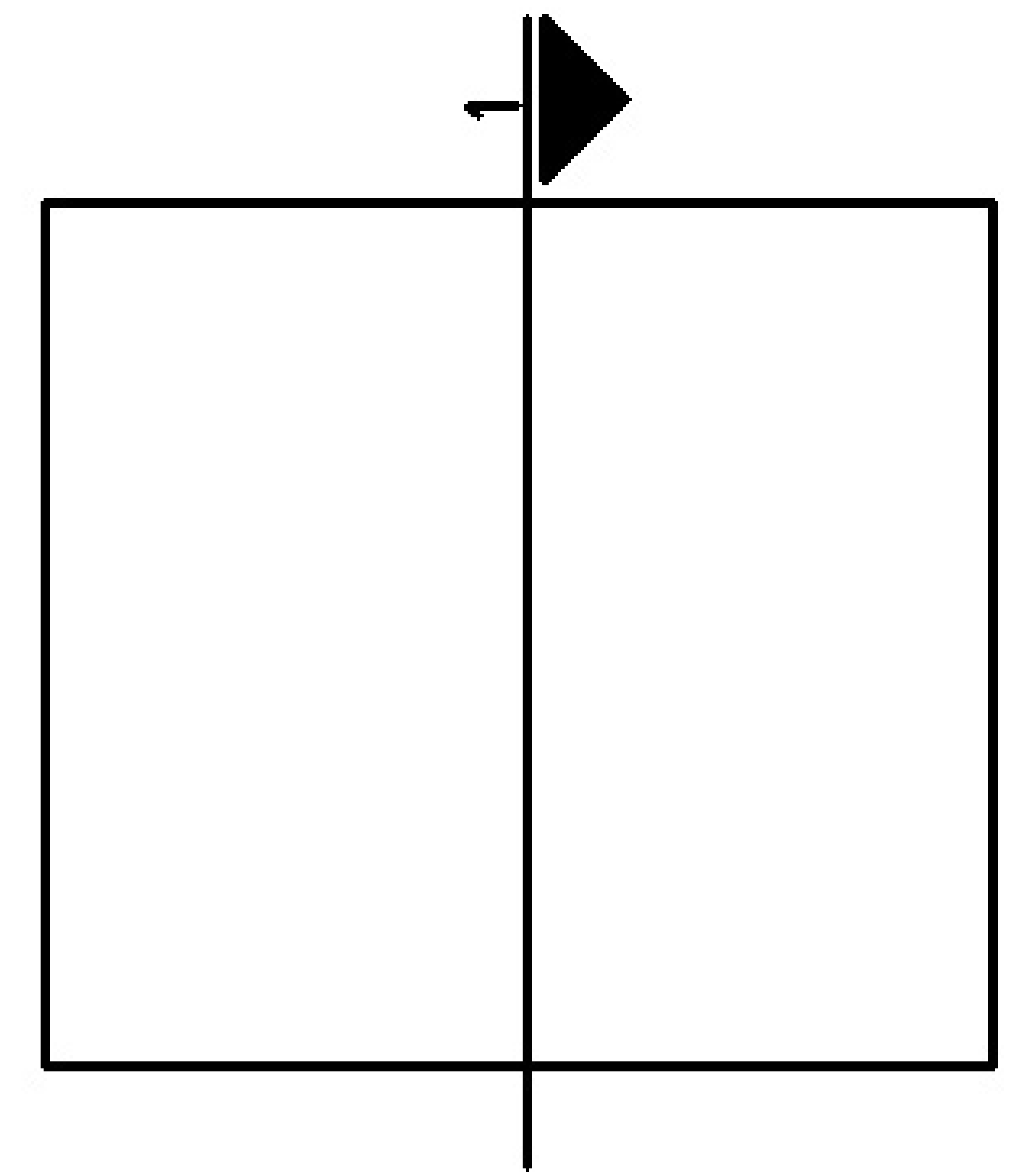
THREESTEP2
PROFILE



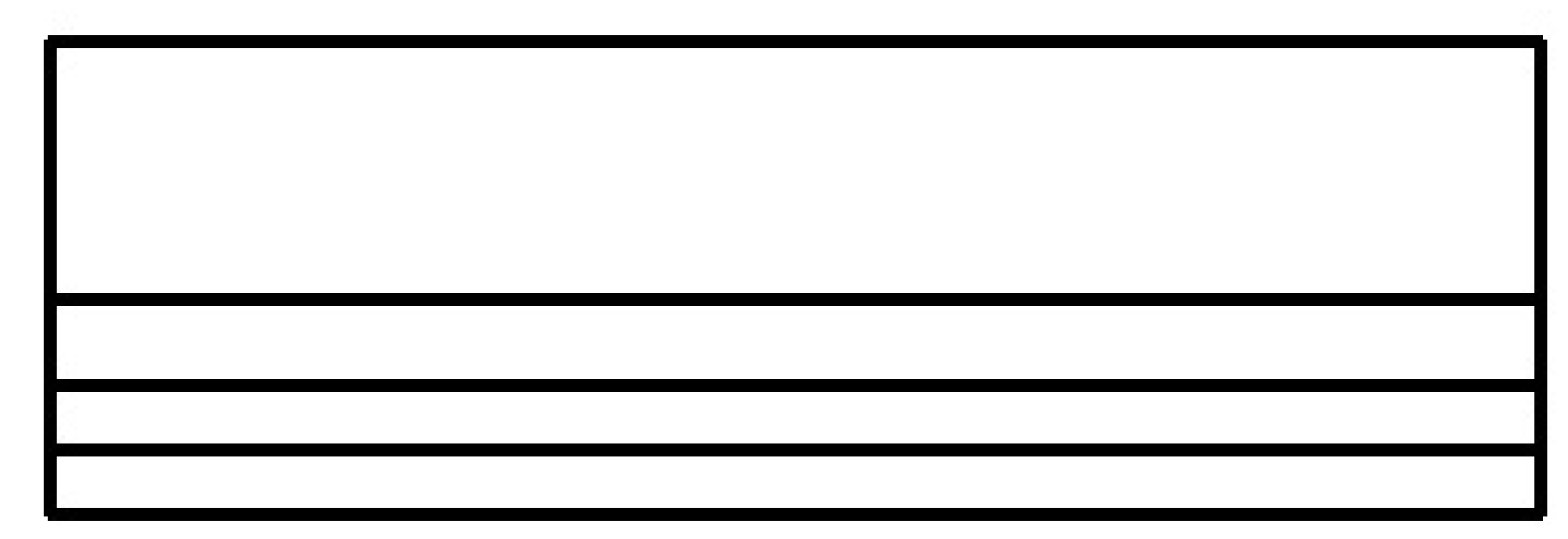
FLATFACE1A
PROFILE



① **VERTICAL SECTION**



EXAMPLE PHOTO
OF WATERTABLE



② **TOP VIEW**

S
L = THE EXTERIOR SURFACE OF A WALL.

THE SETTING LINE IS USED AS A GUIDE TO INSTALL YOUR STONE CORRECTLY. THE EASY THING ABOUT THE SETTING LINE IS THAT YOU CAN MOVE THE SETTING LINE IN AND OUT TO A MAX. & MIN.

THE USE OF MIN. IS TO LET YOU KNOW "HEY ANY FURTHER OUT AND THE STONE WILL FALL OFF THE EXTERIOR WALL." THE USE OF THE MAX. IS TO LET YOU KNOW "HEY ANY FURTHER BACK AND THE STONE WILL BE A RECESS IN THE EXTERIOR WALL."