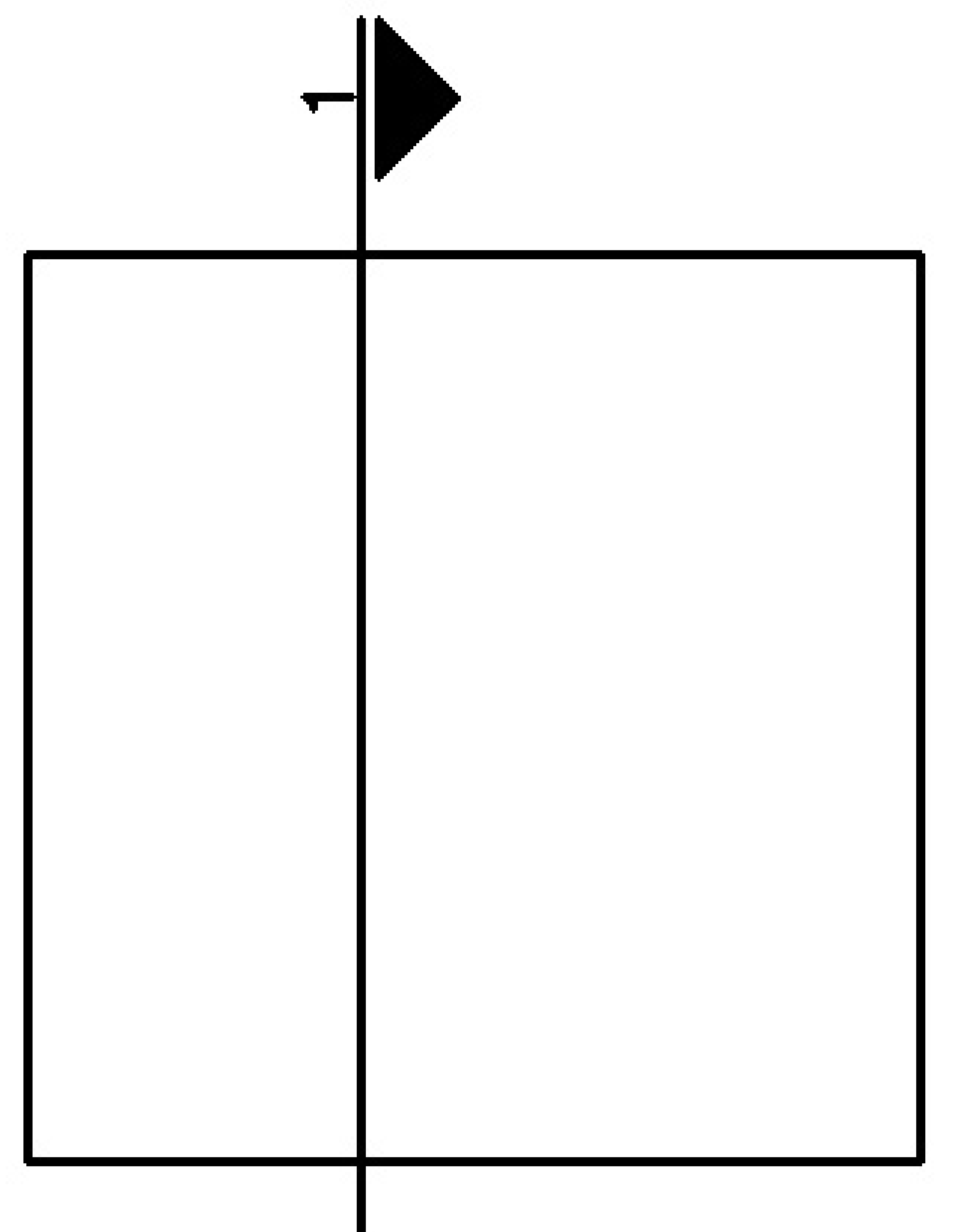
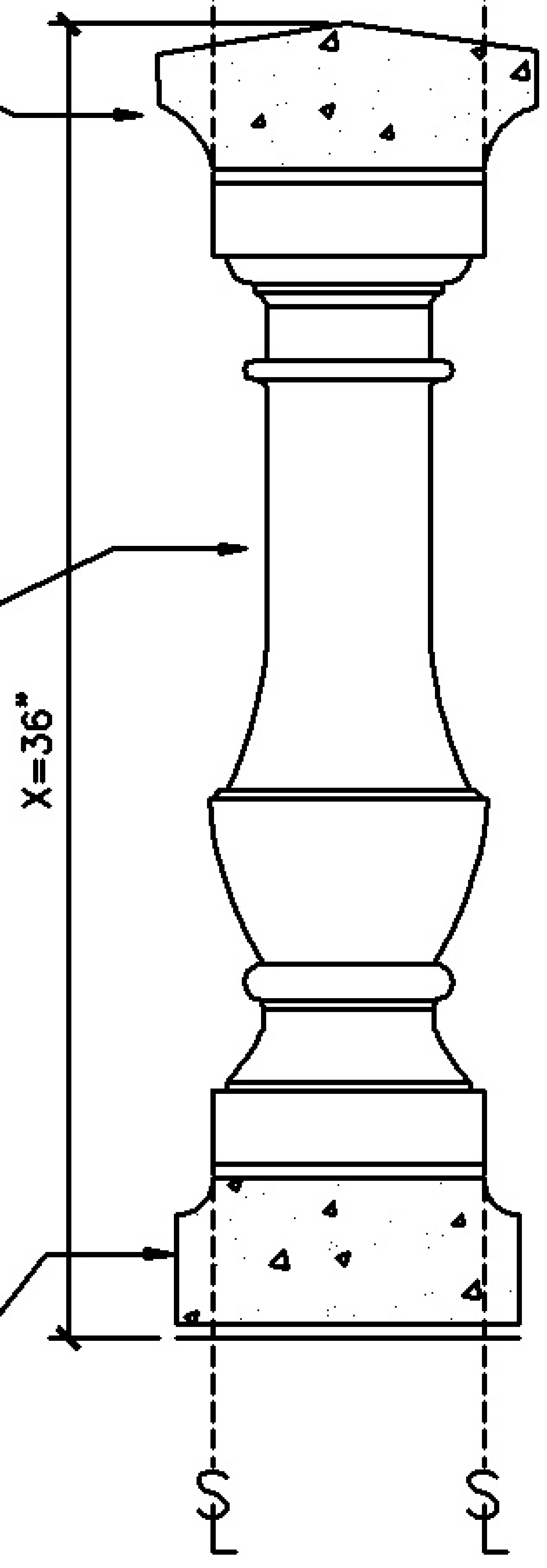
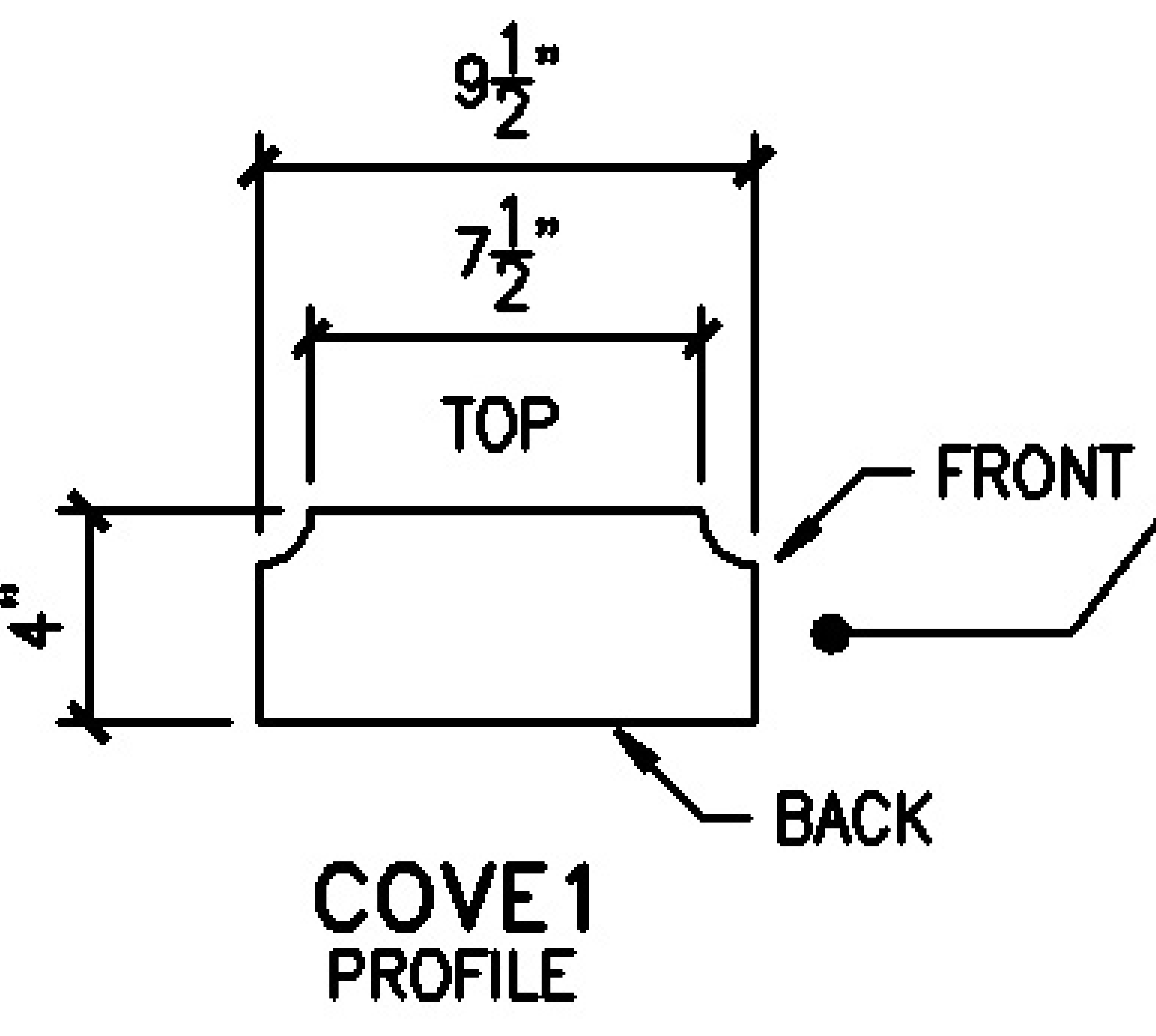
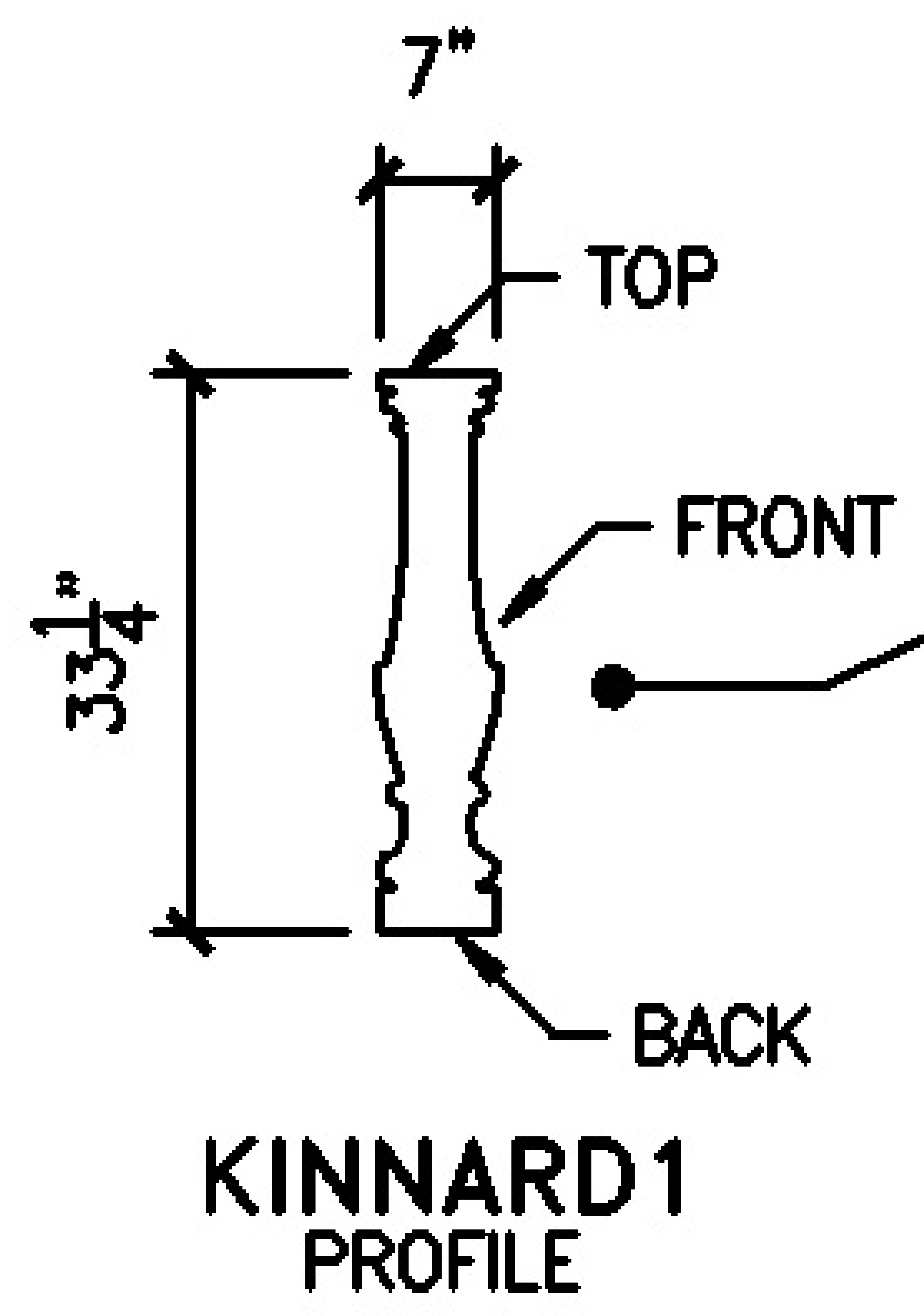
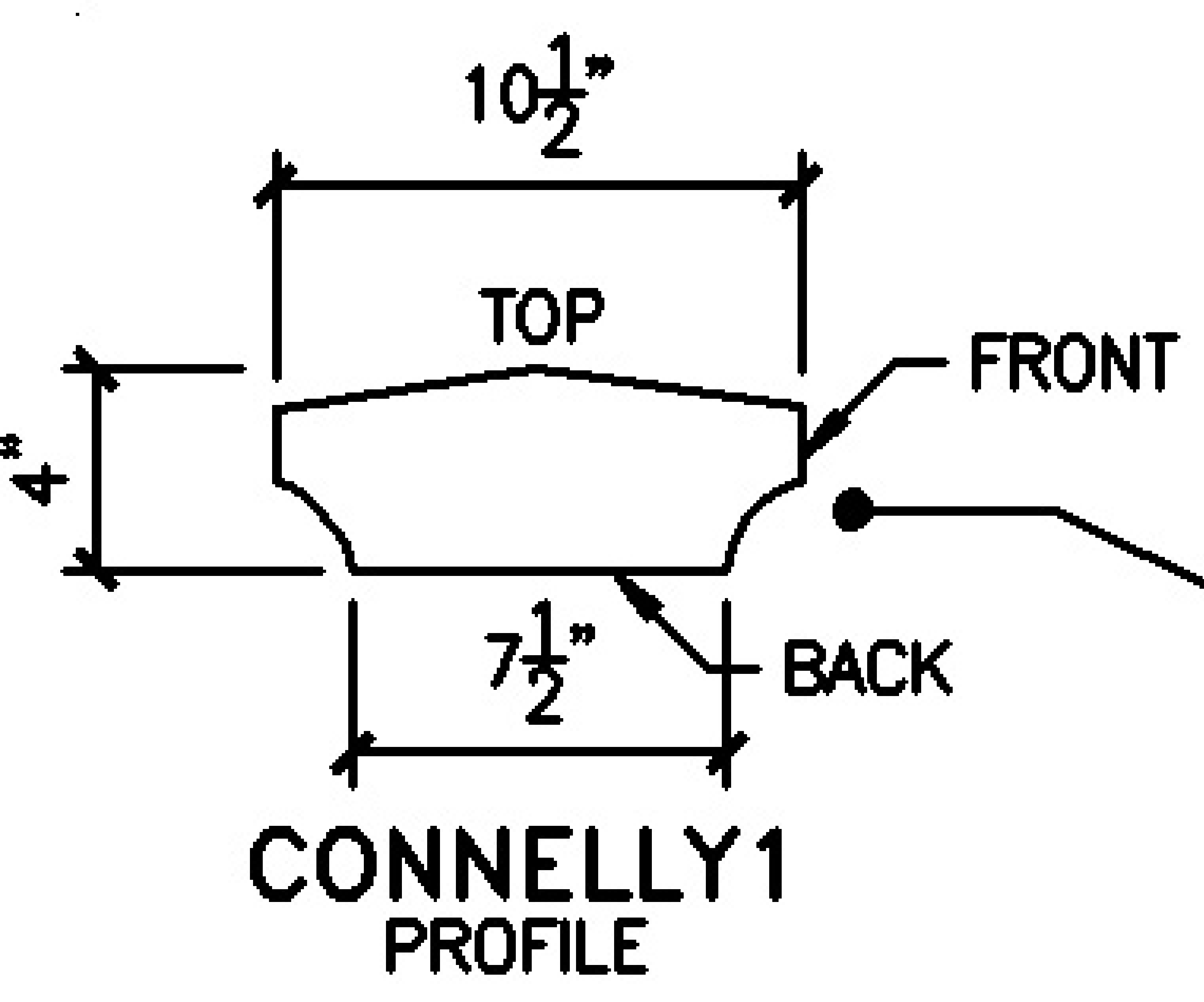
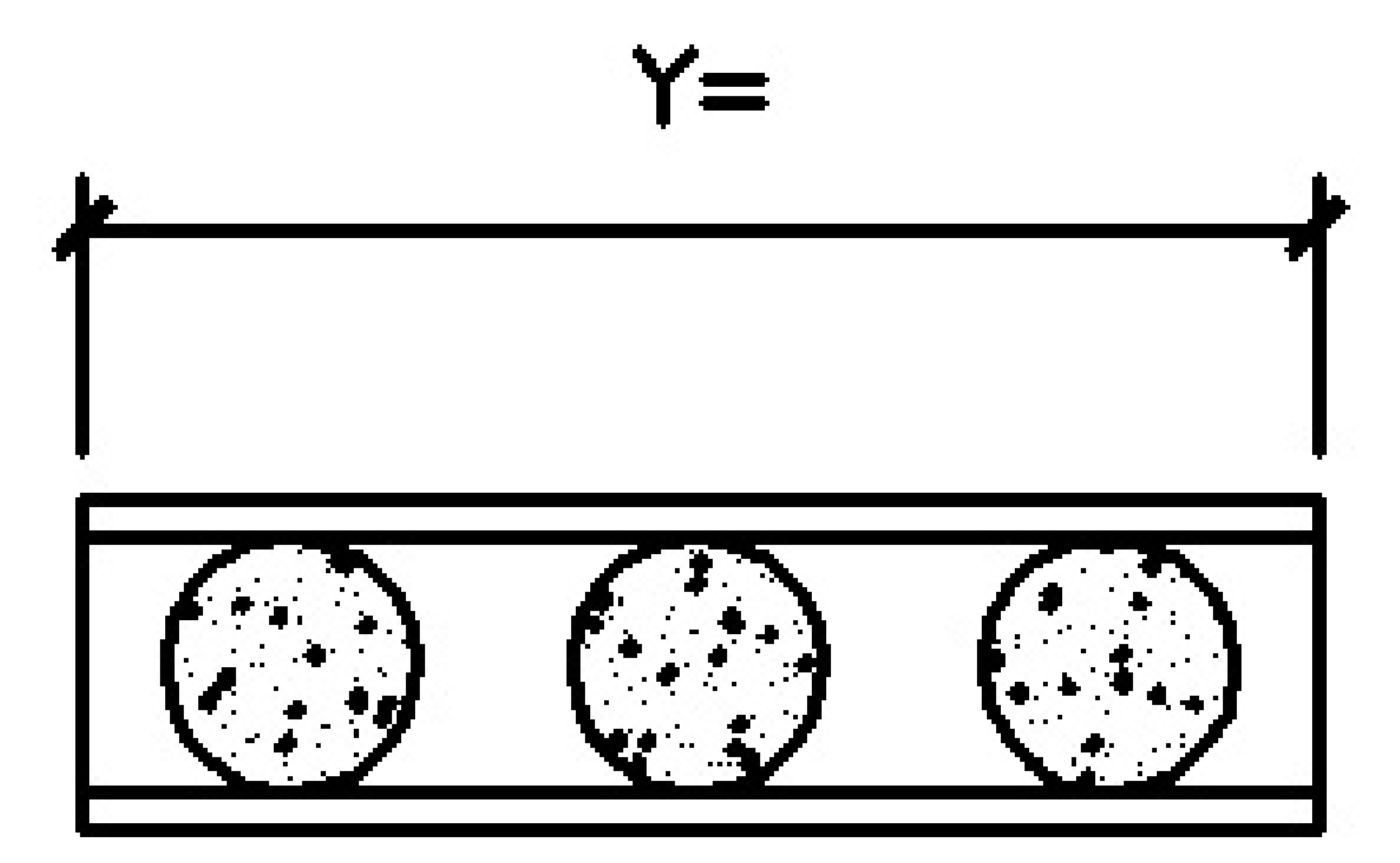


S = RECOMMENDED
L = SETTING LINE

INTERFACE FAMILY



EXAMPLE PHOTO OF BALUSTRADE



2 SECTION
EXAMPLE

BALL CODE TO BE VERIFIED BY CUSTOMER TO MEET THEIR LOCAL REQUIREMENTS

HANDRAILS & BASERAILES ARE SUPPLIED IN TYP. 36" LENGTHS FOR CUT TO FIT.