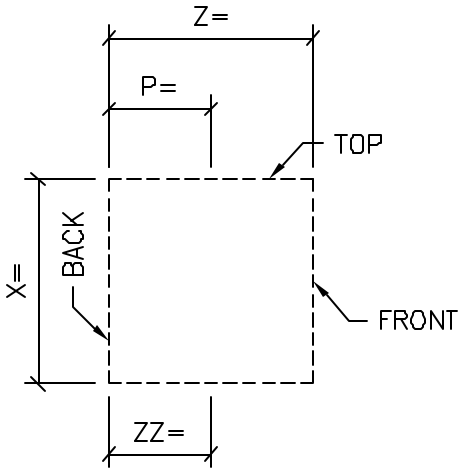


GENERIC BALUSTRADE STAIR



EXAMPLE PHOTO OF BALUSTRADE STAIR

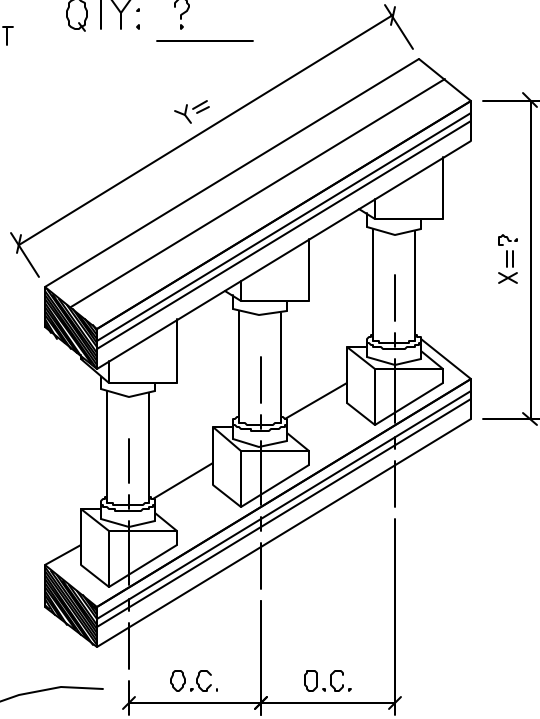


QTY: ?

CHOOSE PROFILE:

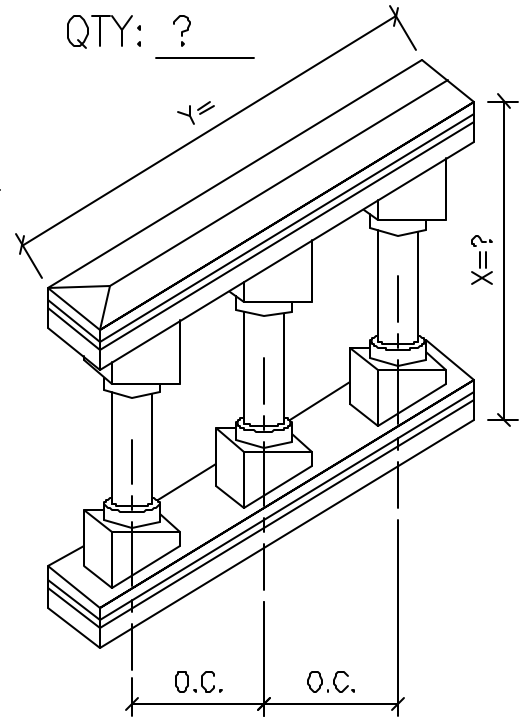
BALUSTER LUGS ARE PRODUCED LONGER TO ACCOMMODATE ACTUAL SLOPE AND HEIGHT REQUIREMENTS. THEY WILL REQUIRE FIELD CUTTING.

BALL CODE TO BE VERIFIED BY CUSTOMER TO MEET THEIR LOCAL REQUIREMENTS



① ISOMETRIC VIEW
STAIR STRAIGHT

TOTAL LINEAR FEET= ?



② ISOMETRIC VIEW
STAIR FINISHED END

STANDARD COLOR CHOICE:
TAN \ WHITE \ BUFF

CUT TO FIT LENGTHS ARE SUPPLIED IN 36" PIECES

Please print clearly

Unit ID: 17702