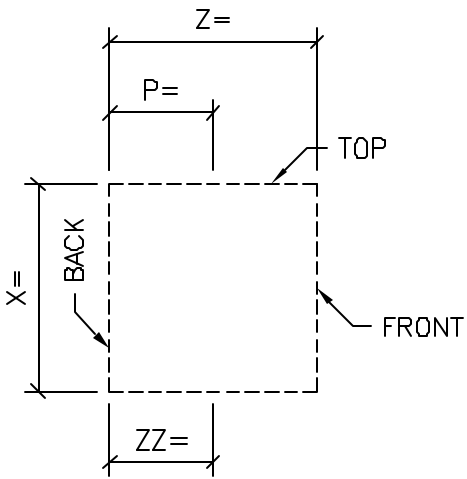


GENERIC SIGNAGE



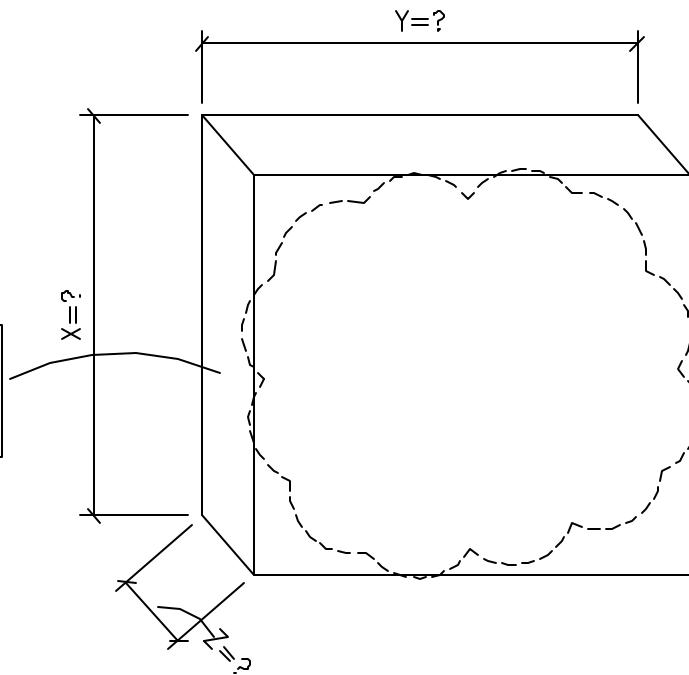
CHOOSE PROFILE:

? _____



EXAMPLE PHOTO OF SIGNAGE

MUST PROVIDE A PHOTO OR OTHER VISUAL AID TO COMPLETE



QTY: ? _____

① ISOMETRIC VIEW
SIGNAGE _____

STANDARD COLOR CHOICE:
TAN \ WHITE \ BUFF

Please print clearly

Unit ID: 17687