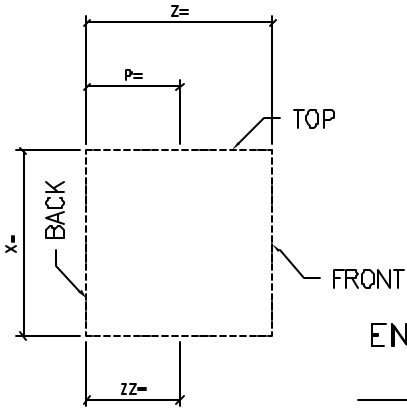


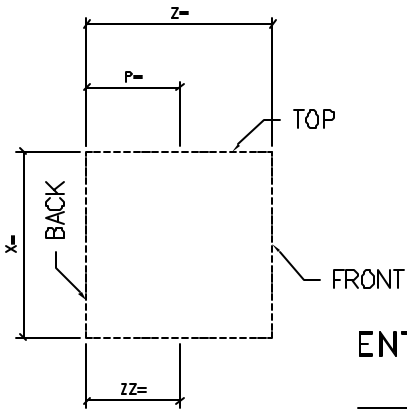
GENERIC ENTABLATURE



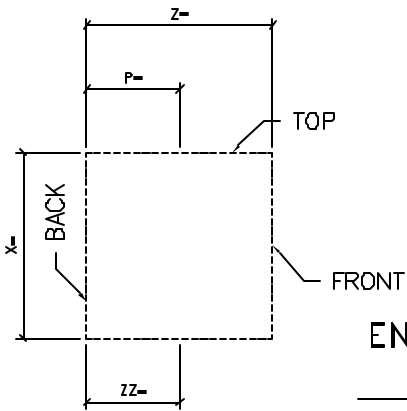
EXAMPLE PHOTO OF ENTABLATURE



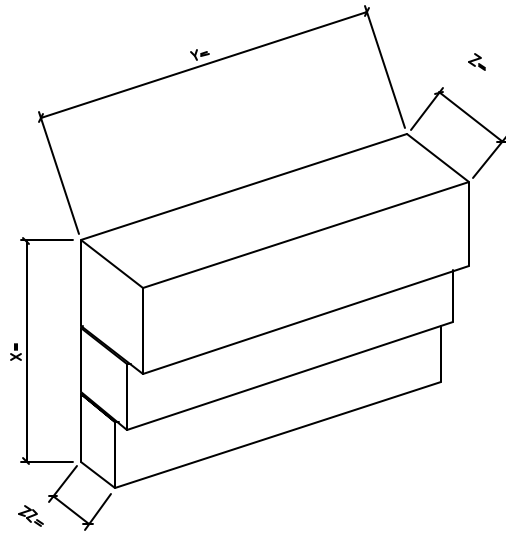
ENT 3 PROFILE: _____



ENT 2 PROFILE: _____



ENT 1 PROFILE: _____



QTY: _____

① ISOMETRIC VIEW
STRAIGHT _____

STANDARD COLOR CHOICES:
TAN \ WHITE \ BUFF

CUT TO FIT LENGTHS ARE
SUPPLIED IN 36" PIECES

Please print clearly

Unit ID: 17686