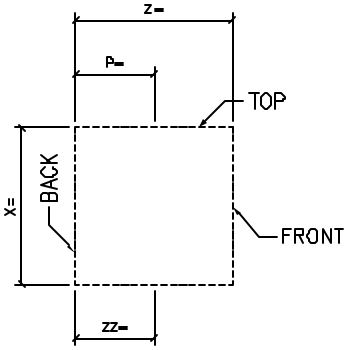


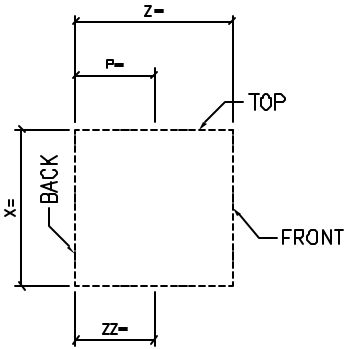
GENERIC ENTABLATURE



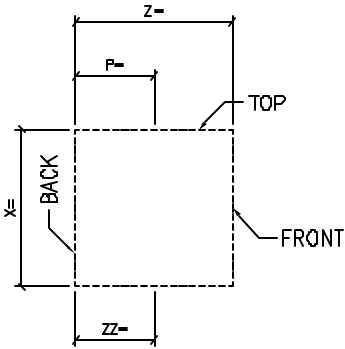
EXAMPLE PHOTO OF ENTABLATURE



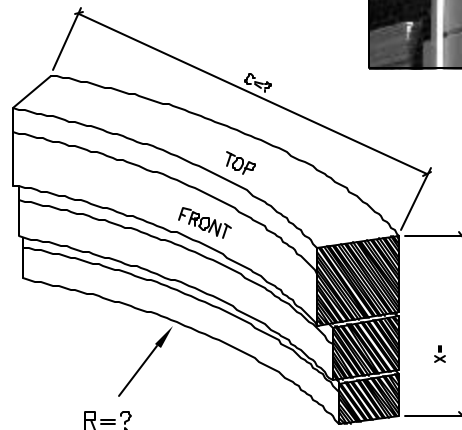
NO. 3 PROFILE:
?



NO. 2 PROFILE:
?

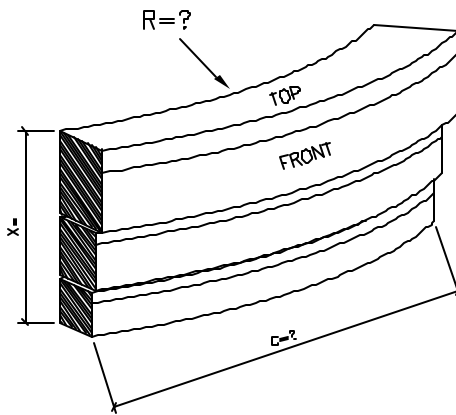


NO. 1 PROFILE:
?



1 ISOMETRIC VIEW
COPE INSIDE RADIUS

QTY: ?



2 ISOMETRIC VIEW
COPE OUTSIDE RADIUS

QTY: ?

TOTAL
LINEAR FEET= ?

STANDARD COLOR CHOICES:
TAN \ WHITE \ BUFF

CUT TO FIT LENGTHS ARE
SUPPLIED IN 36" PIECES

Please print clearly

Unit ID: 17705