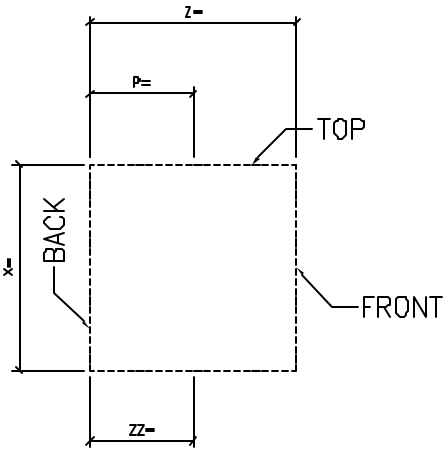


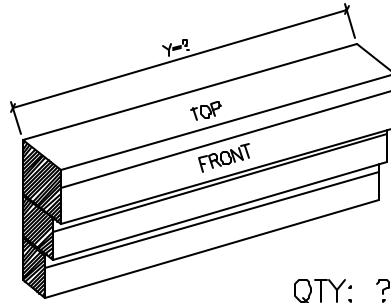
# GENERIC ENTABLATURE



EXAMPLE PHOTO OF ENTABLATURE

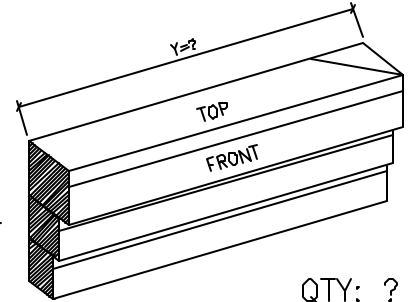


CHOOSE PROFILE:  
? \_\_\_\_\_



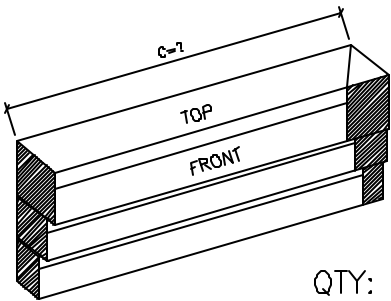
QTY: ? \_\_\_\_\_

1 ISOMETRIC VIEW  
STRAIGHT



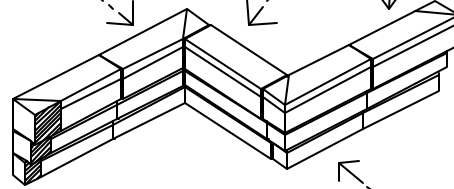
QTY: ? \_\_\_\_\_

4 ISOMETRIC VIEW  
STRAIGHT

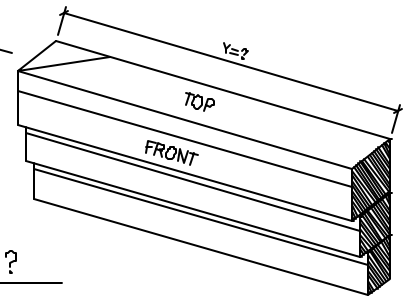


QTY: ? \_\_\_\_\_

2 ISOMETRIC VIEW  
COPE INSIDE RIGHT

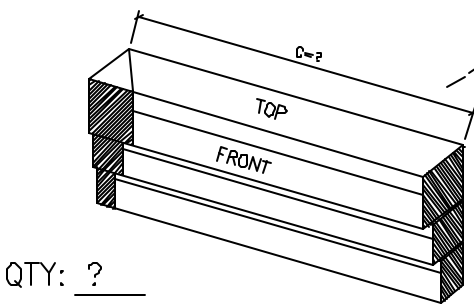


6 ISOMETRIC VIEW  
ENTABLATURE



QTY: ? \_\_\_\_\_

5 ISOMETRIC VIEW  
COPE INSIDE LEFT



QTY: ? \_\_\_\_\_

3 ISOMETRIC VIEW  
COPE INSIDE LEFT

STANDARD COLOR CHOICES:  
TAN \ WHITE \ BUFF

CUT TO FIT LENGTHS ARE  
SUPPLIED IN 36" PIECES

Please print clearly

Unit ID: 17706