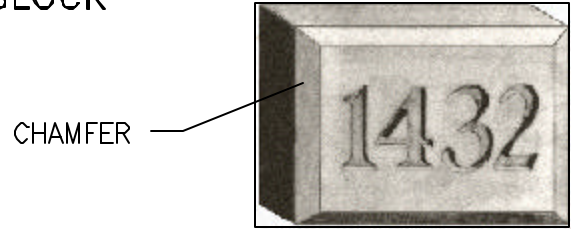
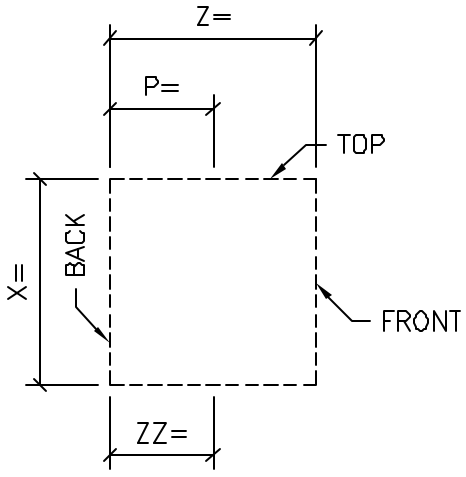
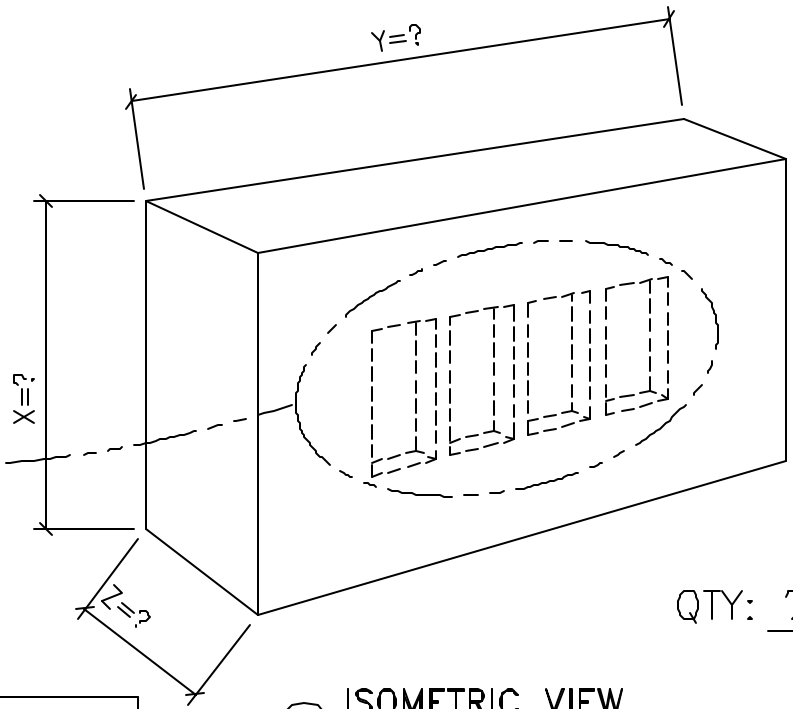


GENERIC ADDRESS BLOCK



EXAMPLE PHOTO OF ADDRESS BLOCK

CHOOSE PROFILE:
? _____



QTY: ? _____

① **ISOMETRIC VIEW**
ADDRESS BLOCK _____

<u>Verify Copy:</u>				
Font: Times Bold or _____				
Size: 3 3/4" H X 3/4" Dp.				
Other: _____ H X _____ Dp.				
()	()	()	()	()
(? Characters Maximum)				

STANDARD COLOR CHOICES:
TAN \ WHITE \ BUFF

Please print clearly

Unit ID: 17657