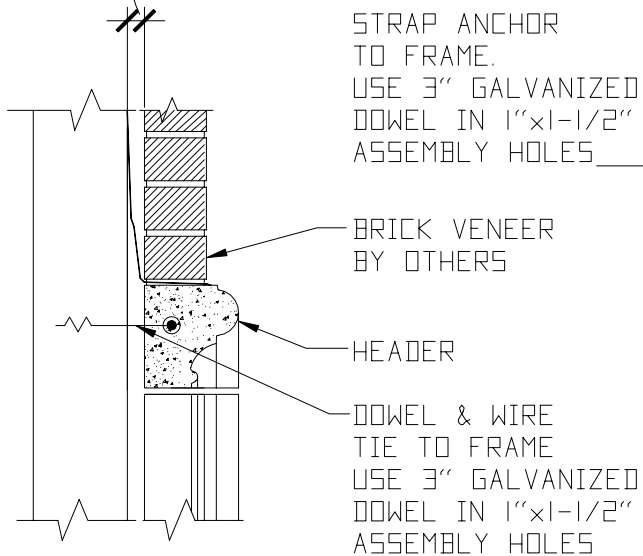
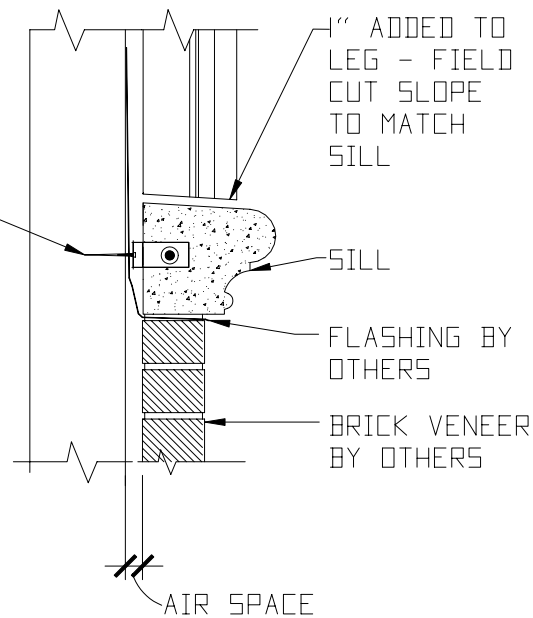


AIR SPACE



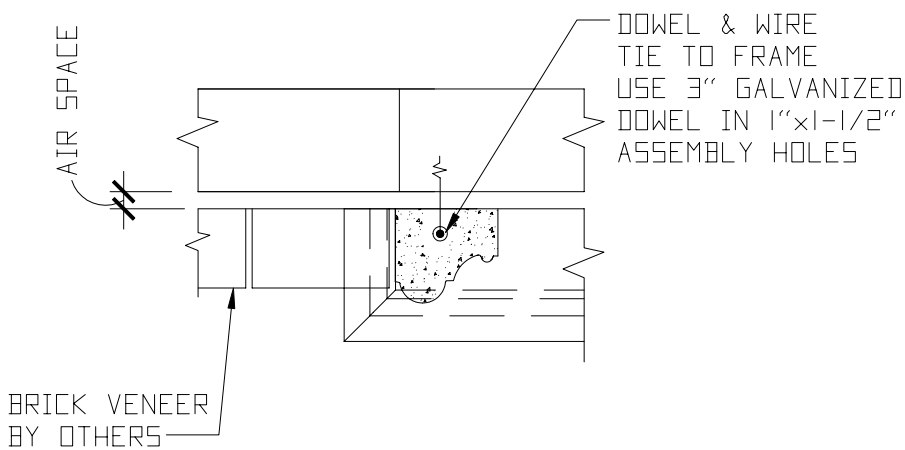
SECTION AT HEADER



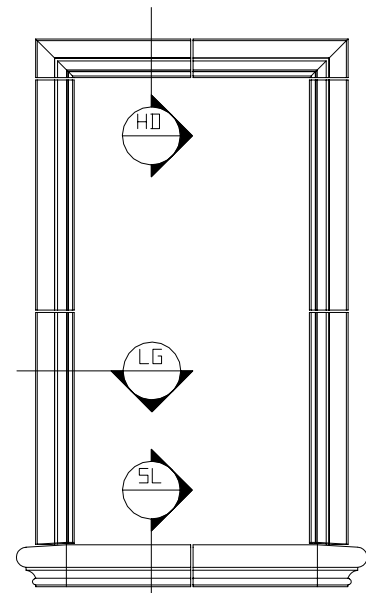
SECTION AT SILL

ATTACHMENT DRAWINGS HAVE BEEN INCLUDED AS SUGGESTED INSTALLATION DETAILS ONLY; ALL ATTACHMENTS, STEEL SIZES, GAUGE THICKNESS, AND ANCHOR SIZES SHOULD BE CALCULATED BY A STRUCTURAL ENGINEER; STONE LEGENDS IS NOT LIABLE FOR INSTALLATION OF ANY KIND

AIR SPACE



SECTION AT LEG



FRONT VIEW

ATTACHMENT OF WINDOW SURROUND TO WOOD WITH FLASHING AND STRAP AND DOWEL AND WIRE

1