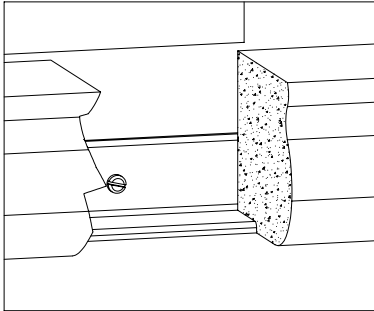
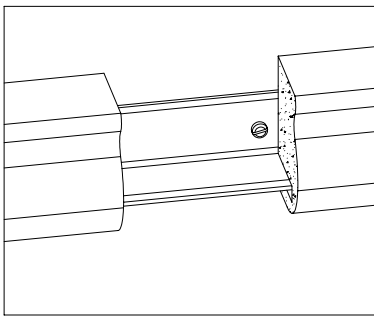


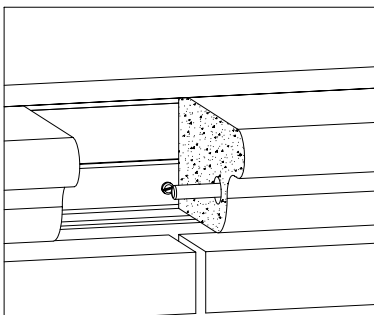
NOTE: THE REQUIREMENTS FOR ATTACHING STONE TO STRUCTURES, VARIES BETWEEN DIFFERENT STATES. A CERTIFIED ENGINEER MUST DETERMINE THE BEST METHOD FOR ATTACHING THE STONE TO THE STRUCTURE IN YOUR AREA. CSCS IS NOT RESPONSIBLE FOR PROVIDING INFORMATION ON HOW TO ATTACH STONE TO A STRUCTURE AND CAN ONLY PROVIDE INFORMATION AND SUGGESTED METHODS TO AID THE BUILDER/MASON TO ATTACH THE STONE. THESE SUGGESTED METHODS ARE WELL KNOWN AND HAVE BEEN USED THROUGHOUT THE INDUSTRY.



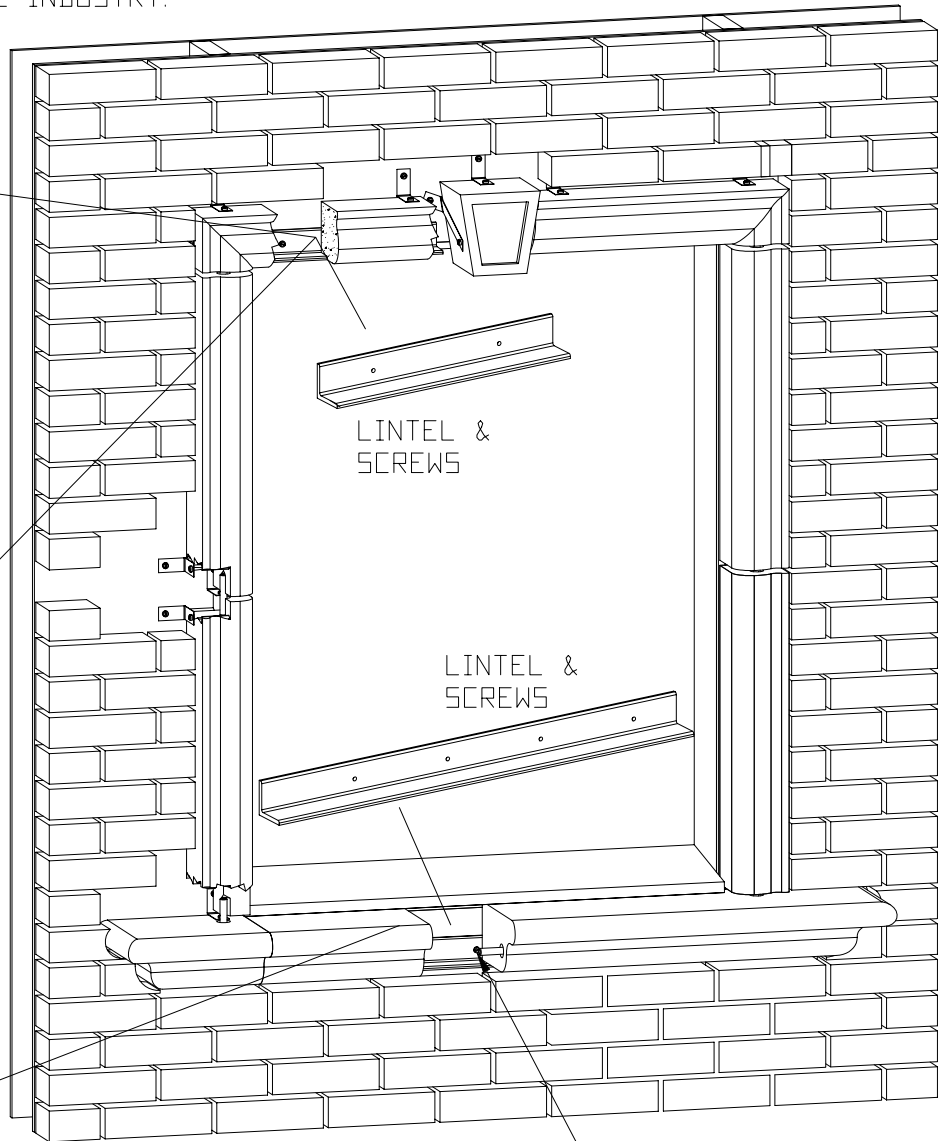
EXAMPLE SHOWN OF UNDER CUT STONE TO HOUSE LINTEL. (NOTE: LINTEL IS VISIBLE FROM BELOW)



EXAMPLE SHOWN OF BLIND LINTEL. STONE IS CUT IN THE BACK TO HIDE THE LINTEL.



NOTE:
SILL SITS ON TOP OF LINTEL. LINTEL IS ONLY REQUIRED IN A STONE FIRST ASSEMBLY. NO STONE CUTTING REQUIRED



SCREW LINTEL TO WALL

1 ATTACHMENT OF WINDOW SURROUND TO BRICK WITH LINTEL AND SCREWS