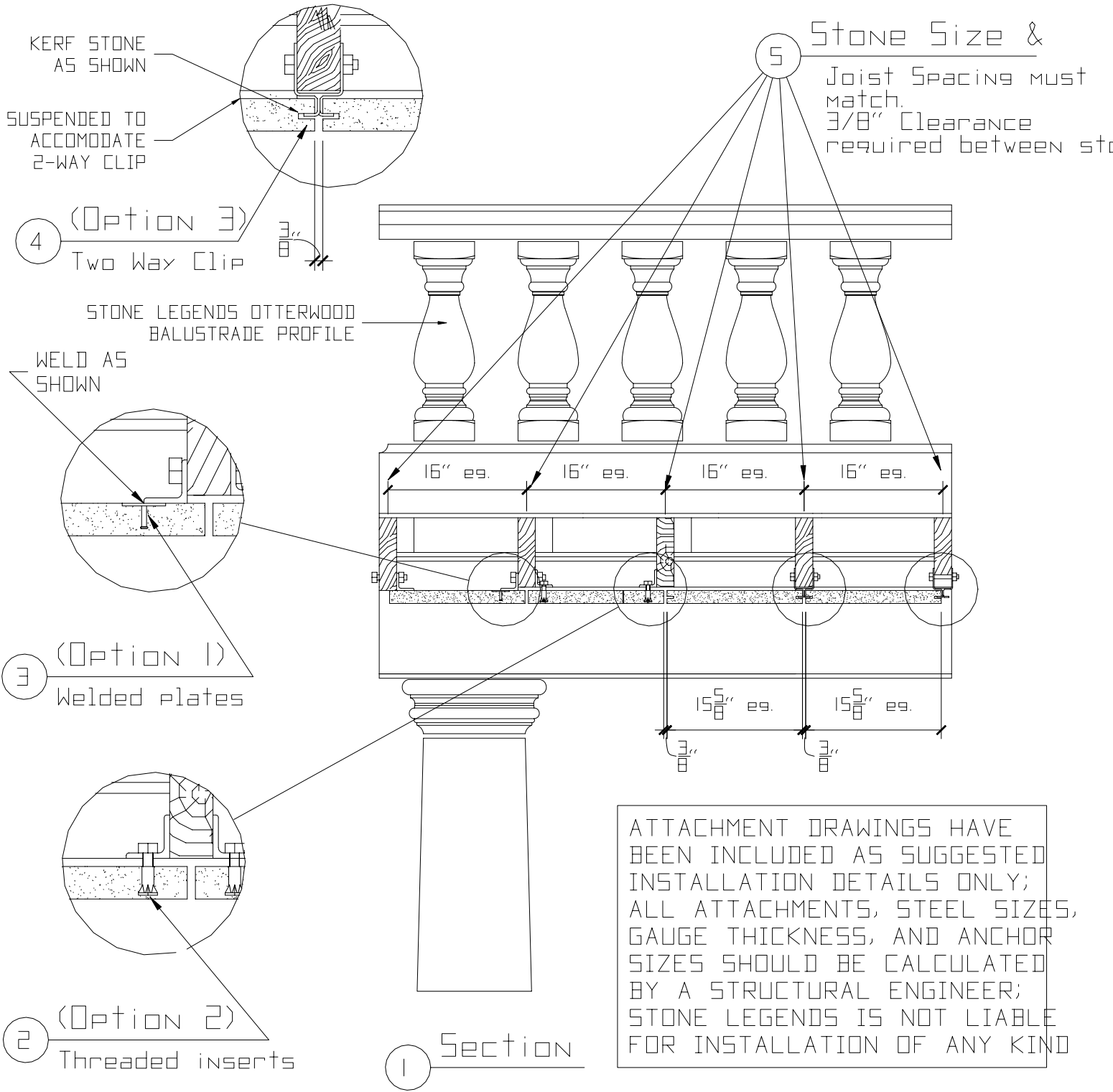


How to hang stone from a soffit at an Entry.



ATTACHMENT DRAWINGS HAVE BEEN INCLUDED AS SUGGESTED INSTALLATION DETAILS ONLY; ALL ATTACHMENTS, STEEL SIZES, GAUGE THICKNESS, AND ANCHOR SIZES SHOULD BE CALCULATED BY A STRUCTURAL ENGINEER; STONE LEGENDS IS NOT LIABLE FOR INSTALLATION OF ANY KIND