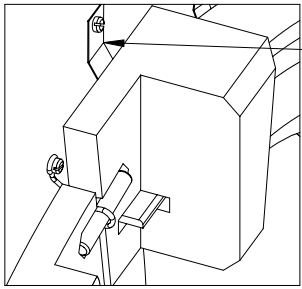
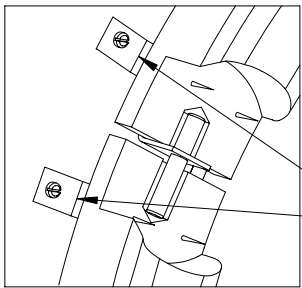


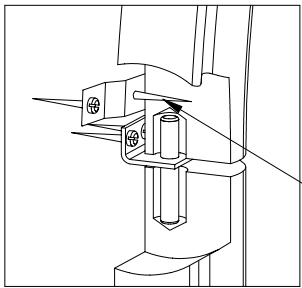
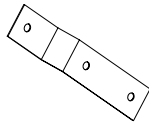
NOTE:
 THE REQUIREMENTS FOR ATTACHING STONE TO STRUCTURES, VARIES AMONG THE DIFFERENT STATES. A CERTIFIED ENGINEER THAT IS FAMILIAR WITH THE GEOLOGIC SEISMIC & CLIMATIC CONDITIONS OF YOUR AREA MUST DETERMINE THE BEST METHOD FOR ATTACHING THE STONE TO THE STRUCTURE. THE STONE SUPPLIER IS NOT RESPONSIBLE FOR PROVIDING INFORMATION ON ATTACHMENT METHODS AND CAN ONLY PROVIDE SUGGESTED ATTACHMENT METHODS. THESE SUGGESTED METHODS ARE WELL KNOWN AND HAVE BEEN USED THROUGHOUT THE INDUSTRY. THE STUCCO/STONE MUST HIDE ALL ATTACHMENTS.



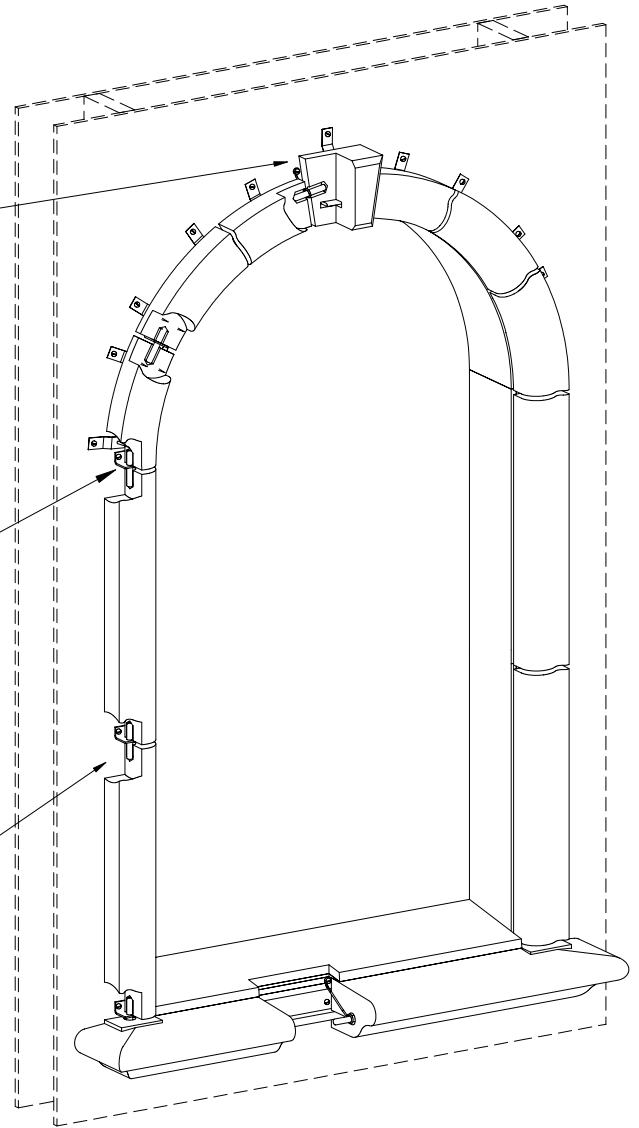
KEYSTONE TO WOOD
 USING STRAP & SCREWS



STONE TO WOOD
 USING STRAP & SCREWS



STONE TO WOOD
 USING STRAP & SCREWS



1 ATTACHMENT OF WINDOW SURROUND TO STUCCO AND WOOD
 WITH STRAP & SCREWS