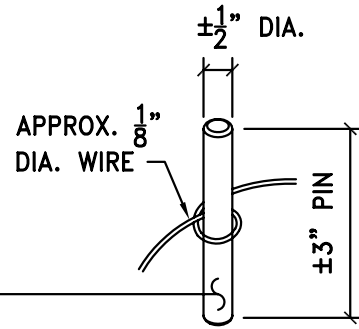
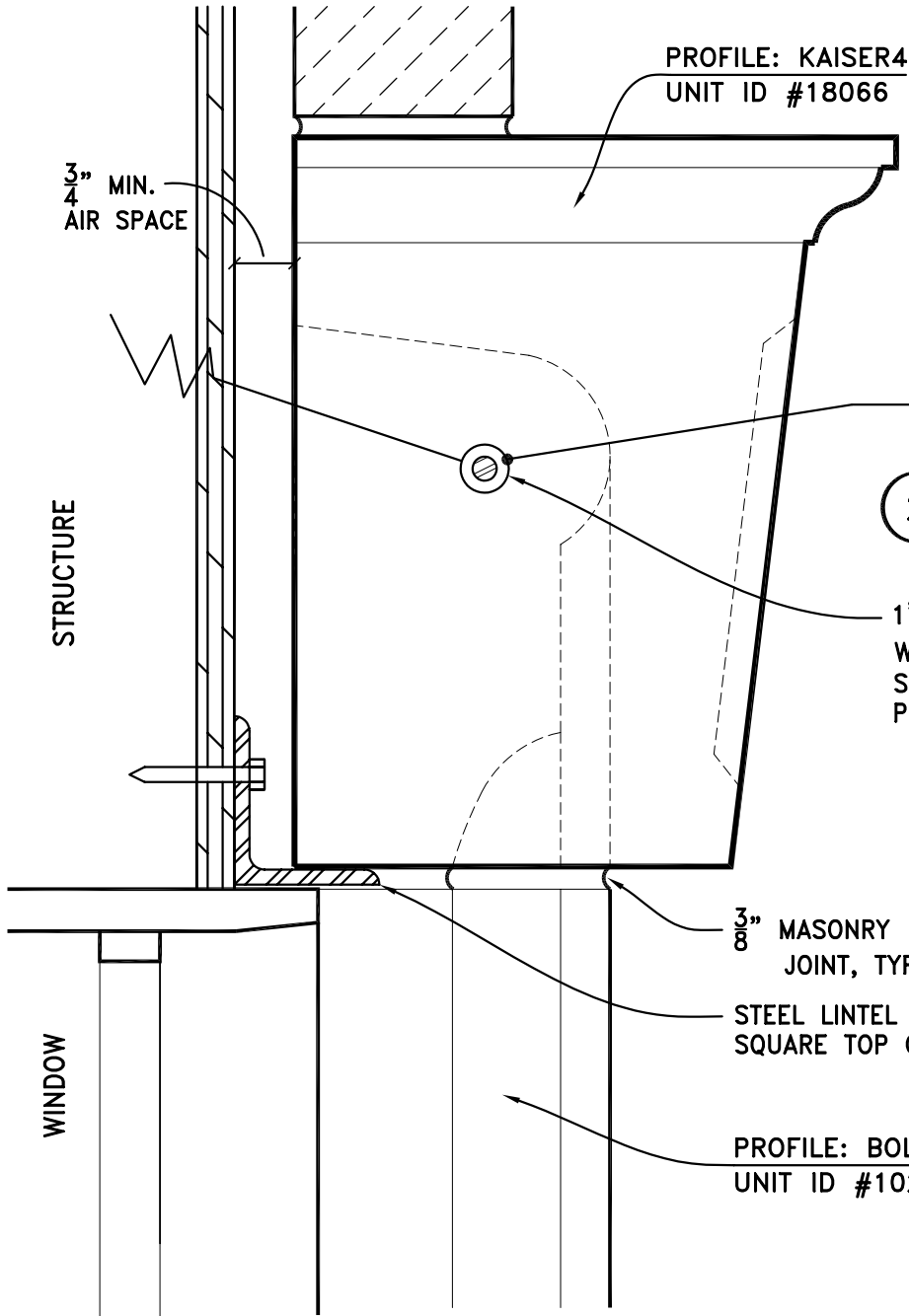
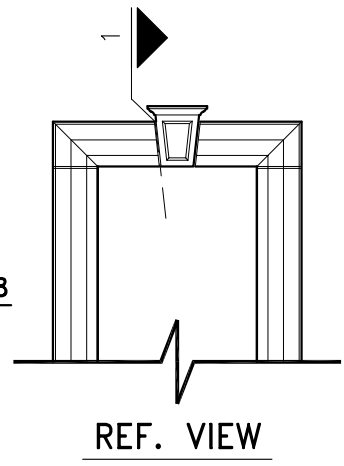


THESE DRAWINGS ARE SUGGESTED  
INSTALLATION DETAILS ONLY;  
ALL ATTACHMENTS, STEEL SIZES,  
GAUGE THICKNESS, AND ANCHOR  
SIZES SHOULD BE CALCULATED  
BY A STRUCTURAL ENGINEER;  
WE ARE NOT LIABLE FOR  
INSTALLATION OF ANY KIND



2 PIN & WIRE TIE DETAIL  
GALVANIZED OR BETTER

1" DIA. X 1 1/2" HOLE  
W/PIN & WIRE TIE ANCHOR.  
SEAL ALL WATERPROOFING  
PENETRATIONS, TYP.



1 CAST STONE KEYSTONE ATTACHMENT AT MASONRY VENEER  
WITH PIN & WIRE TIE ANCHOR

TYPICAL USES:  
DOOR & WINDOW HEADER

STD 3/8" MORTAR JOINT

SCALE: N.T.S.

# STONE LEGENDS

301 Pleasant Drive - Dallas, TX 75217  
Voice (214) 398-0999 - Fax (214) 398-1293  
Visit our website at [www.stonelegends.com](http://www.stonelegends.com)

CLIENT:

PROJECT: