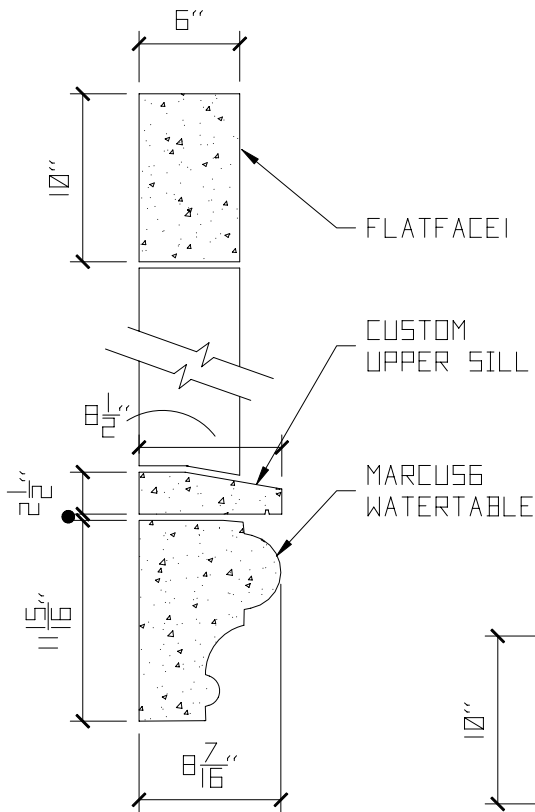
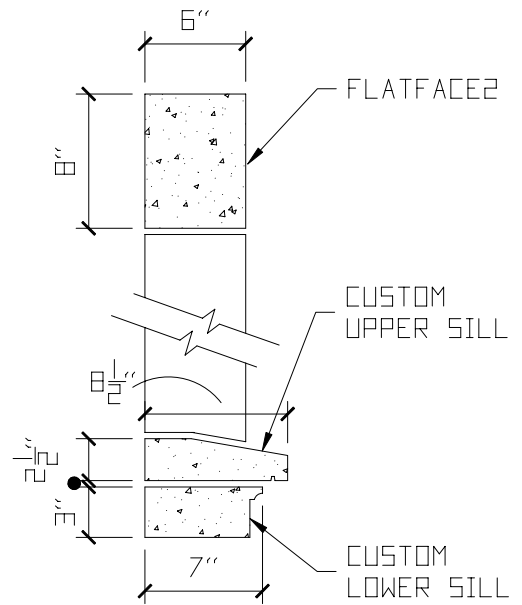


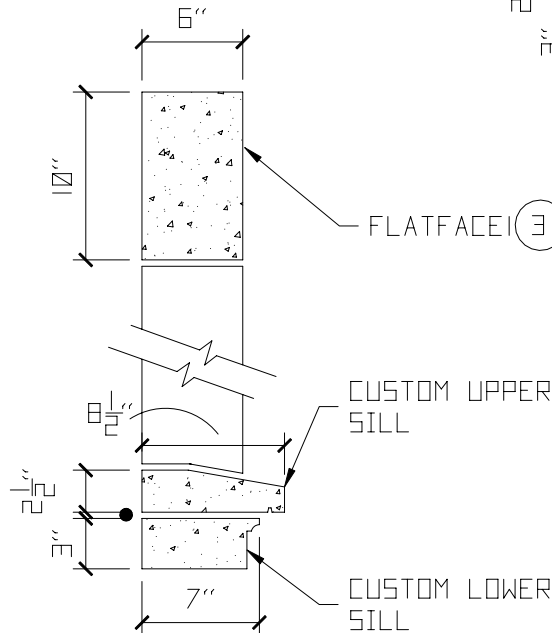
TYPICAL CROSS SECTIONS



1 TYPICAL SECTION
 FLATFACE - HEADER
 CUSTOM UPPER SILL
 MARCUS6 - WATERTABLE



2 TYPICAL SECTION
 FLATFACE - SURROUND
 CUSTOM UPPER SILL
 CUSTOM LOWER SILL



3 TYPICAL SECTION
 FLATFACE - HEADER
 CUSTOM UPPER SILL
 CUSTOM LOWER SILL

● = 3/8" M.J.

SCALE: 1" = 1'-0"

UNITS	AREA	BLUE DOT UNIT INTERFACE	TITLE: TYPICAL CROSS SECTIONS
C	Wsr	DRAWING DETAIL	MultiViews
D	Wsr	DESCRIPTION:	TYPICAL CROSS SECTIONS
E	Wsr	NOTES:	
F	Wsr		
G	Wsr	PROJECT:	Arveh Residence
K	Wsr	CLIENT:	REA Development
L	Wsr		BLUE DOT #: 2
M	Wsr		JOB #: 7457
			PROD DETAIL #: 14673
			RELEASED DATE: 1/10/01
			DRAWING #: N-1 REV: 0

STONE LEGENDS

301 Pleasant Drive - Dallas, TX 75217
 TEL: (800) 398-1199 - FAX: (214) 398-1293