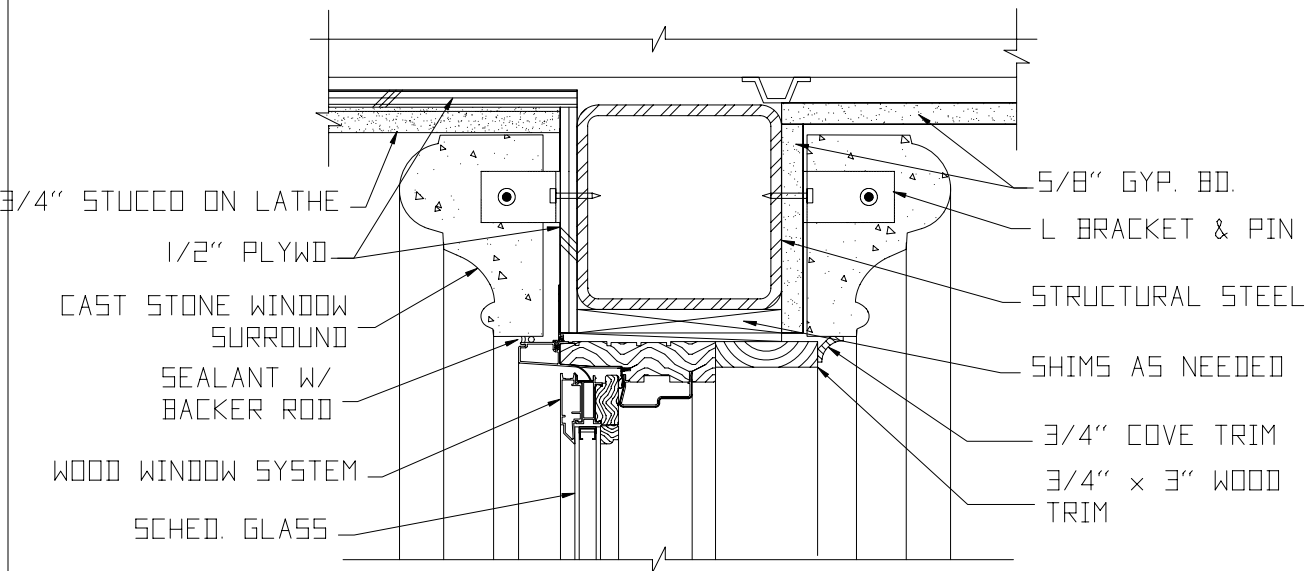
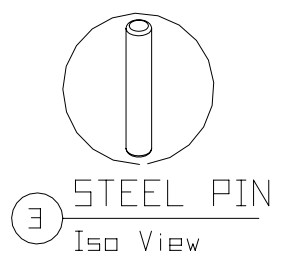
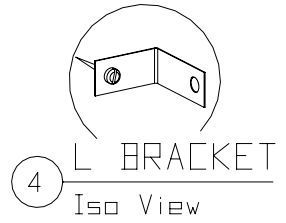


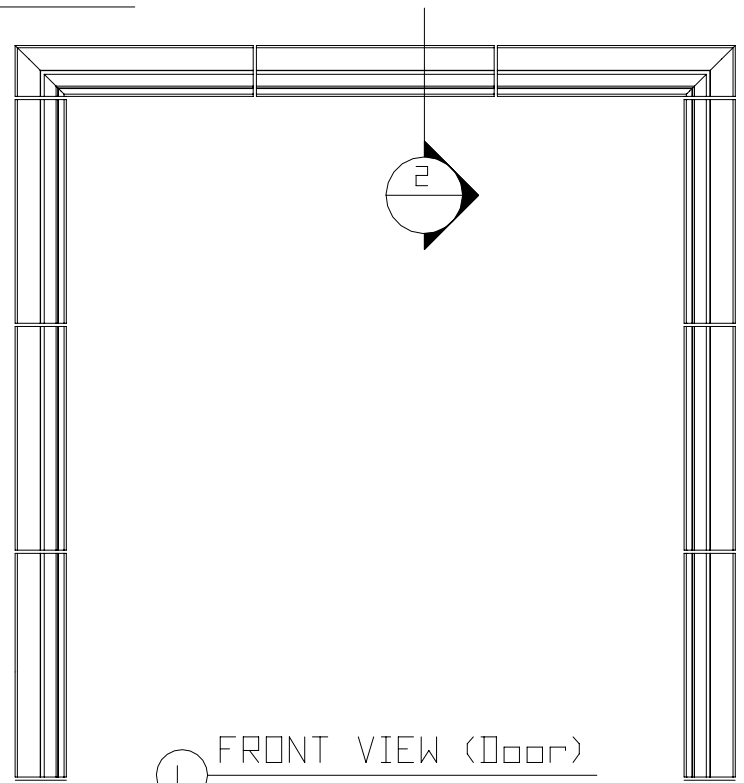
Attachment and Flashing of Square Top Door Surround.
 Stone Legends Filestore ID 120025.



2 Wall Section @ Door Header



ATTACHMENT DRAWINGS HAVE BEEN INCLUDED AS SUGGESTED INSTALLATION DETAILS ONLY; ALL ATTACHMENTS, STEEL SIZES, GAUGE THICKNESS, AND ANCHOR SIZES SHOULD BE CALCULATED BY A STRUCTURAL ENGINEER; STONE LEGENDS IS NOT LIABLE FOR INSTALLATION OF ANY KIND



1 FRONT VIEW (Door)
Profile Marcus3

STD 3/8" MORTAR JOINT