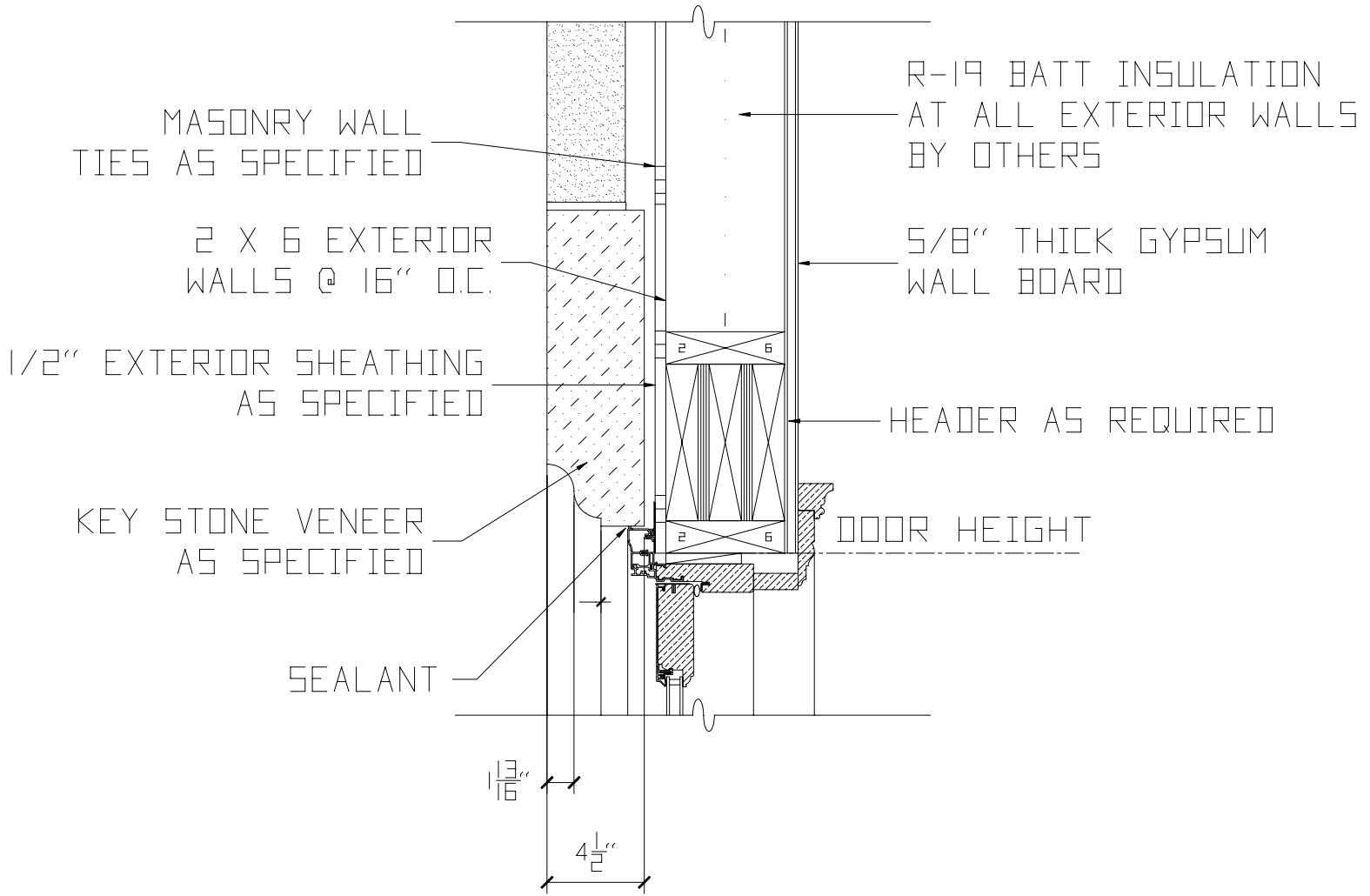


Attachment of Square Top Door Surround to a wood structure. Stone Legends Filestore ID 120015



2 Wall Section @ Door Header

STD 3/8" MORTAR JOINT